

② Press **P** when limination blink, then sauna heater will start standby mode, limination of **P** will be on when it arrive the setting working time. Sauna heater will work according to setting working time and temperature, and it will turn off automatically after arriving appointed working time.

#### 4. Reservation setting

① Press **SET** until its lumination blink, and press **Prepare to place** to its lumination blink, then Time table / Temperature table blink.

② Press **M** or **H** to the setting time, press **↑** / **↓** to the setting temperature.

③ Press **SET** then Time table blink.

④ Press **M** or **H** to set the off time.

⑤ Press **SET** to finish setting.

#### 5. Open Ozone generator

Press **O<sub>3</sub>** until its lumination on, then Ozone generator will work for disinfecting sauna room, it will be off automatically accoring to setting working time last time.

#### 6. Set the working time of Ozone generator

① Press **SET** , and press **O<sub>3</sub>** to Time table blink.

② Press **M** or **H** to the setting time.

③ Press **SET** to finish setting.

#### 7. Correct the time

① Hold down **H** to Time table blink.

② Press **M** or **H** to adjust time.

③ Press **SET** to finish adjustment.

#### 8. Correct the temperature (When actual temperature have error with display temperature)

① Hold down **↑** to Temperatue table blink.

② Press **↑** / **↓** to adjust temperature.

③ Press **SET** to finish adjustment.

fin  
tech  
sauna  
&  
steam

## SAUNA ISITICISI HARİCİ KUMANDA PANELİ MONTAJ KLAUVUZU (DİJİTAL EKTRAN)



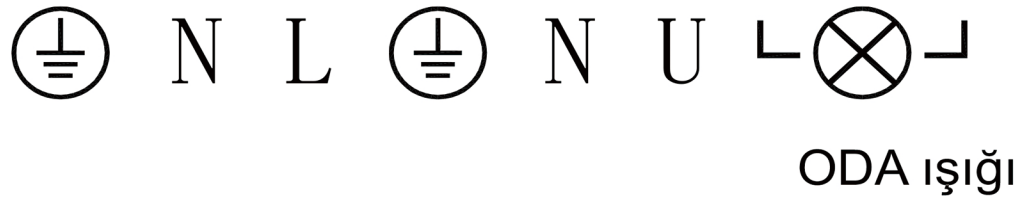
- ① Kumanda panosu Lc1-D1810 3-9 kw ısıtıcılar için kullanılır.
- ② Kumanda panosu Lc1-D2510 10,5-15 kw ısıtıcılar için kullanılır.
- ③ Kumanda panosu Lc1-D4011 18-30 kw ısıtıcılar için kullanılır.

**UYARI : LÜTFEN MONTAJ KLAUVUZUNU DİKKATLİCE OKUYUNUZ.**

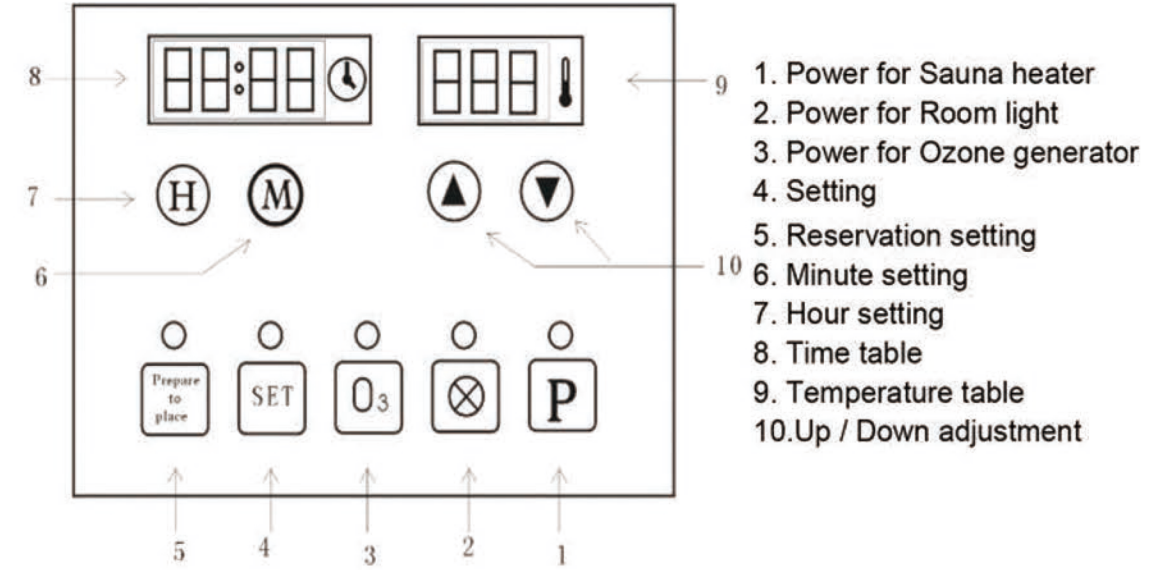
## KONTROL PANEL İ VE GÜÇ KUTUSU BAĞLANTI PLOTU



SEMBOLLERİN AYRIMCILI ĞA GÖRE GÜÇ KUTUSU İLE KONTROL PANEL İNİ BAĞLANTILI B İRLEŞTİRİN



Kontrol paneli su çarpmalarına karşı korumalı olup; sauna kabine yakın kuru bir yere monte edilebilir. Isı sensör ünitesi sauna kabininin içindeki duvara monte edilmelidir. Montaj için lütfen sauna ısıtıcısının minimum güvenlik mesafesini montaj diyagramından dikkatlice okuyunuz. Bunlara uymamak saunanızın ahşap panellerinin yanmasına yol açabilir.



### 1).Operation modes of transfer switch and timer

#### 1. Operation of Sauna heater

Press **P** until its lumination on, sauna heater is on for heating the room. Sauna heater will control the room temperature by appointed temperature and working time last time, and it will be off automatically in setting time.

#### 2. Setting working time / temperature of Sauna heater

① Press **SET** until its lumination blink, and press **P** when its limination blink, then Time table / Temperature table blink.

② Press **M** or **H** to adjust the setting time, press **▲** / **▼** to adjust the setting temperature.

③ Press **SET** to finish setting.

#### 3. Prepare to place the Sauna heater

① Press **Prepare to place** when limination blink.